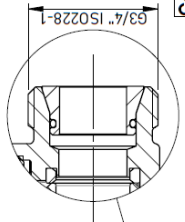
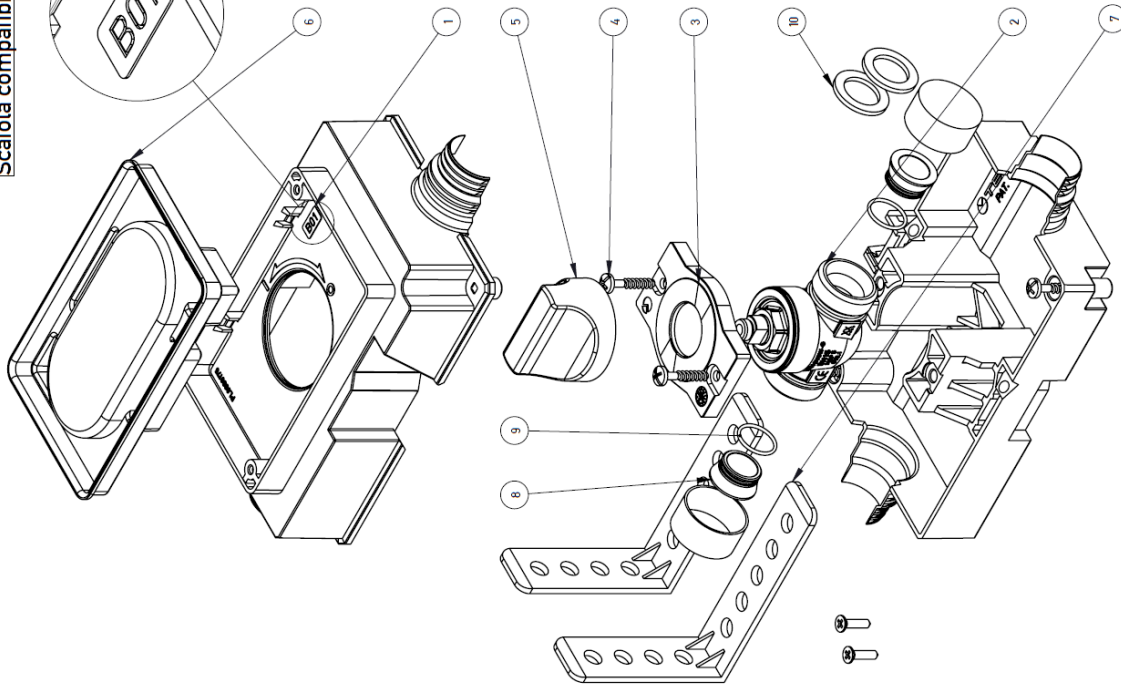
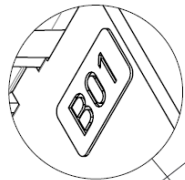
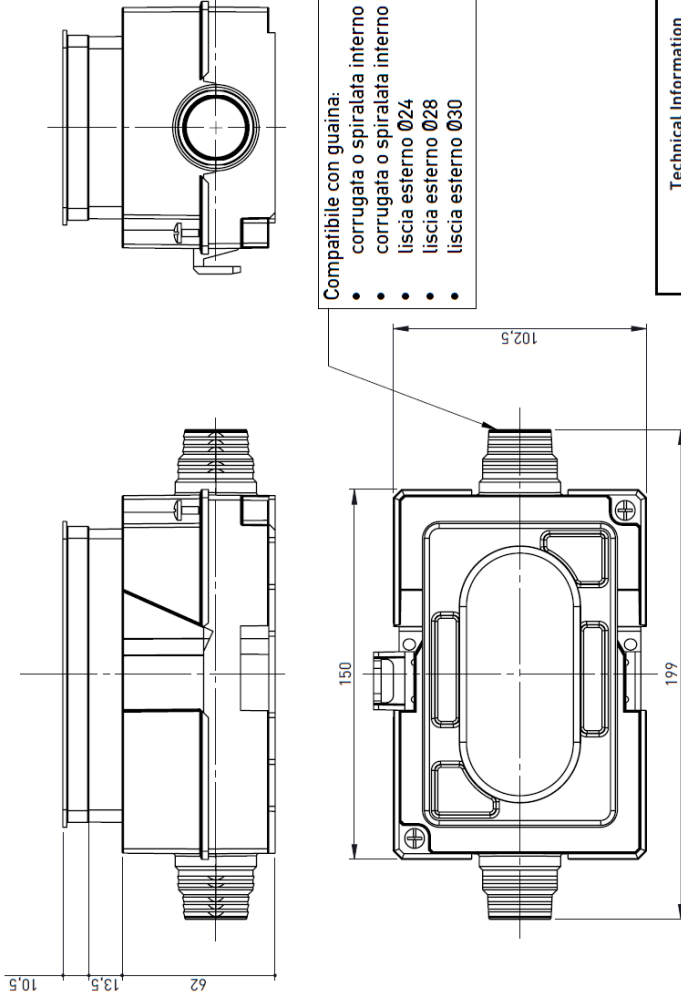


Scatola compatibile con placca B01



Connessione tenuta piana 3/4"



Compatibile con guaina:

- corrugata o spiralata interno Ø26
- corrugata o spiralata interno Ø30
- liscia esterno Ø24
- liscia esterno Ø28
- liscia esterno Ø30

Technical Information	
Reference Standard	EN 331 - EN1775
Working Pressure	MOP 5 GTO.1
Working Temperature	-20 °C +60 °C
Certificate nr.	DG-4312CN0399

Ref.	Qty	Code	DESCRIPTION	Mat.	NOTE
1	1	5C010015	K2.0 box B03 grey		
2	1	9K200BC0101	K2 DN15 - TC 3/4 - Pre-Assembly		
3	1	FVK2010001	K2 stop valve		PA 6+15 GF ISO 1045-1
4	4	VHR00001	Screw for Plastics TC/COMBI Ø4,2x22		1.6301 - X5CrNi18-10 EN10027-2 (AISI304)
5	1	MNK70001	K7 maniglia di comando		ASA
6	1	CPCL0002	Building yard protection K2		P5 Flusso medio/alto
7	1	KSU0000	Support bracket kit		
8	2	ADK-P002SZ	Flar Sealing adapter 3/4		CW617N EN12164 - CuZn39PB2
9	2	OR1501400H	O-Ring 14 x 1.5		HINBR Gallo 705ha - 0672
10	2	GUPV24016020	Flar Sealing Gasket Ø24xØ16x2		TESNIT BA-35

Denominazione / Description	Scatola Gas ispezionabile	
Disegnato / Created		
Approvato / Approved		
Formato / Sheet size	A3	Tolleranze generali secondo UNI EN 22768cd LDA applicati spec. SCD002. Genera tolleranza in accordance to UNI EN 22768-1 LDA according to SCD002.
Materiale / Material		Scala / Scale 1:2
Vedi distinta tecnica / See technical bill		
N° Disegno / Drawing n°		Stato / Mod. N°
		A
Cod. Articolo / Code	179INC34GAS	
Rev.	0.01	